



Rugged Military Grade 8 ports DVI LCD KVM Switch

Optimize rack space. Maximize rack monitoring



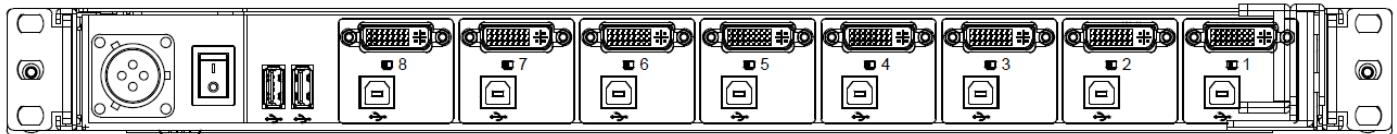
(USB Port for device access)

Features

- Meet MIL-STD-810F/G standard
- 1U 17" or 19" LCD Console Drawer, wide operation temperature support 1280 x 1024 resolution
- Buildin 8 port DVI-USB KVM switch
- Front 1x USB, Rear 2x USB 2.0 Type A, Sharing USB peripheral Device for computer (ex, flash disk, hard driver, KB/Mouse)
- Sealed 104-keys IP65 silicone keyboard and touchpad with backlight
- MIL connector for power input
- Support USB 2.0 Keyboard & Mouse
- Self-locking and auto release rails for ultra convenience

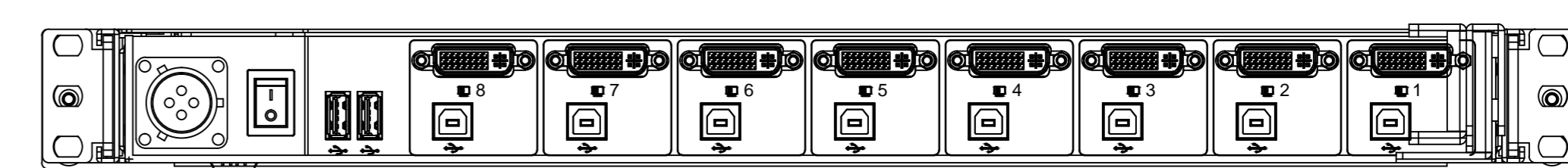
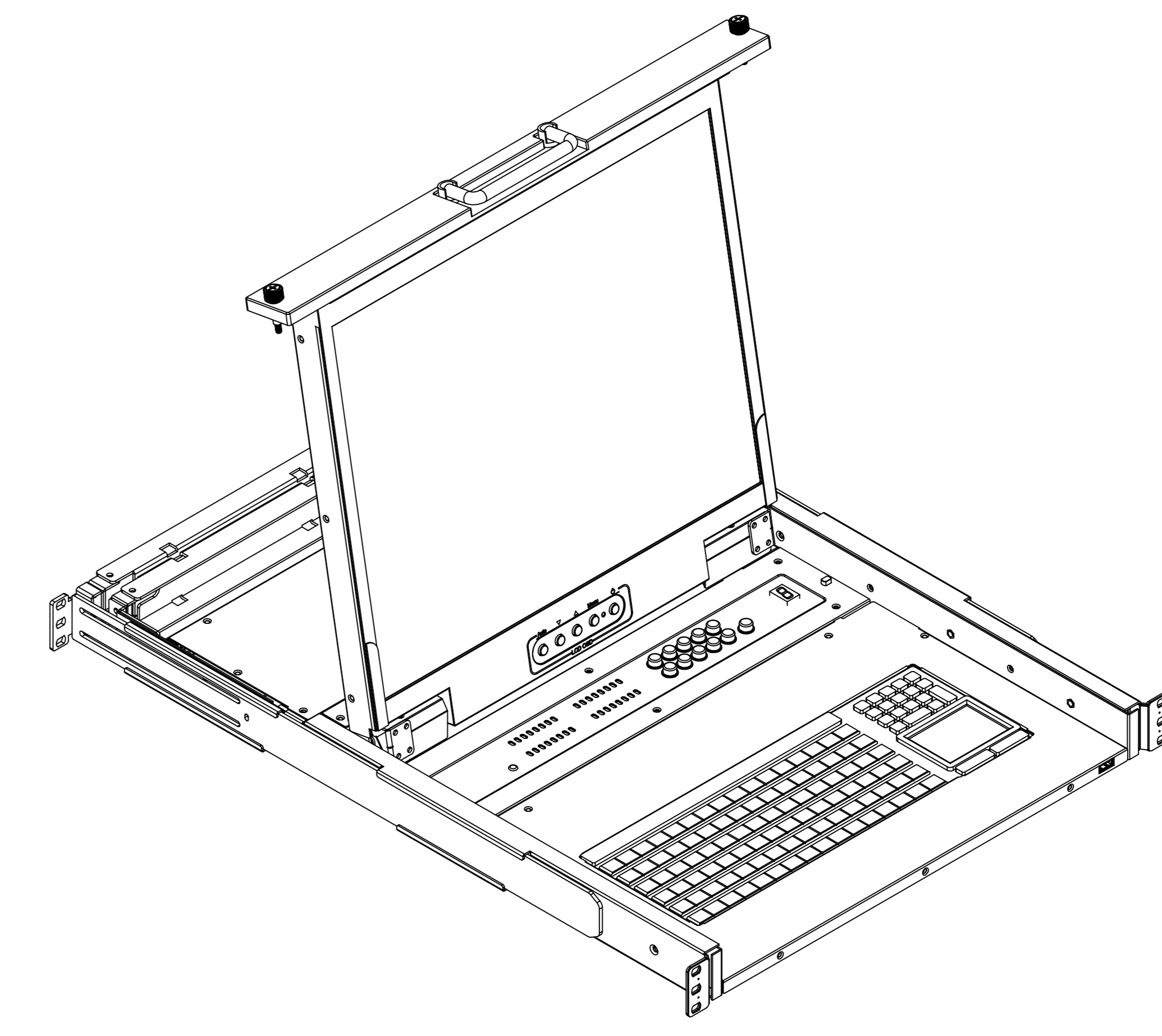
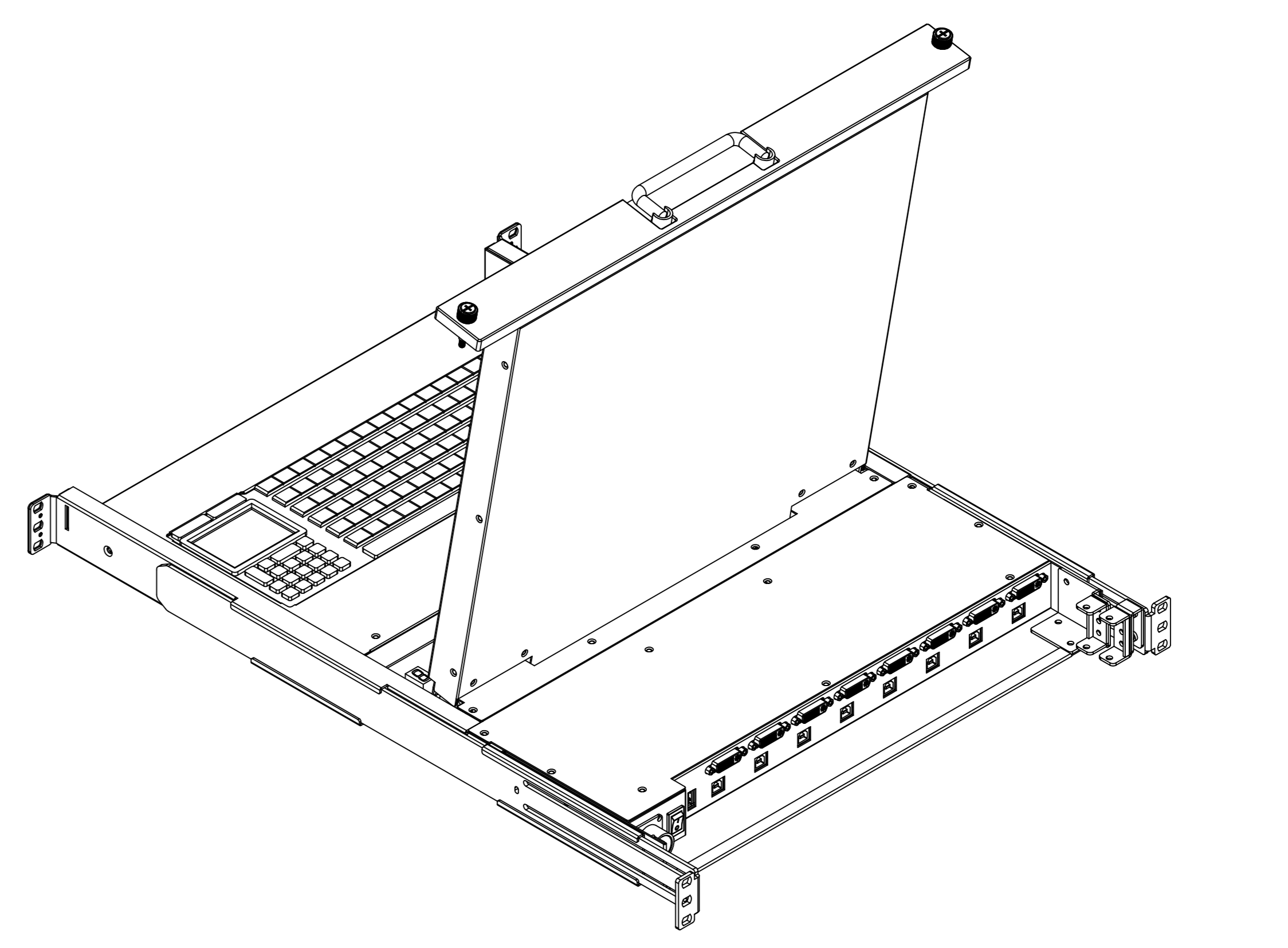
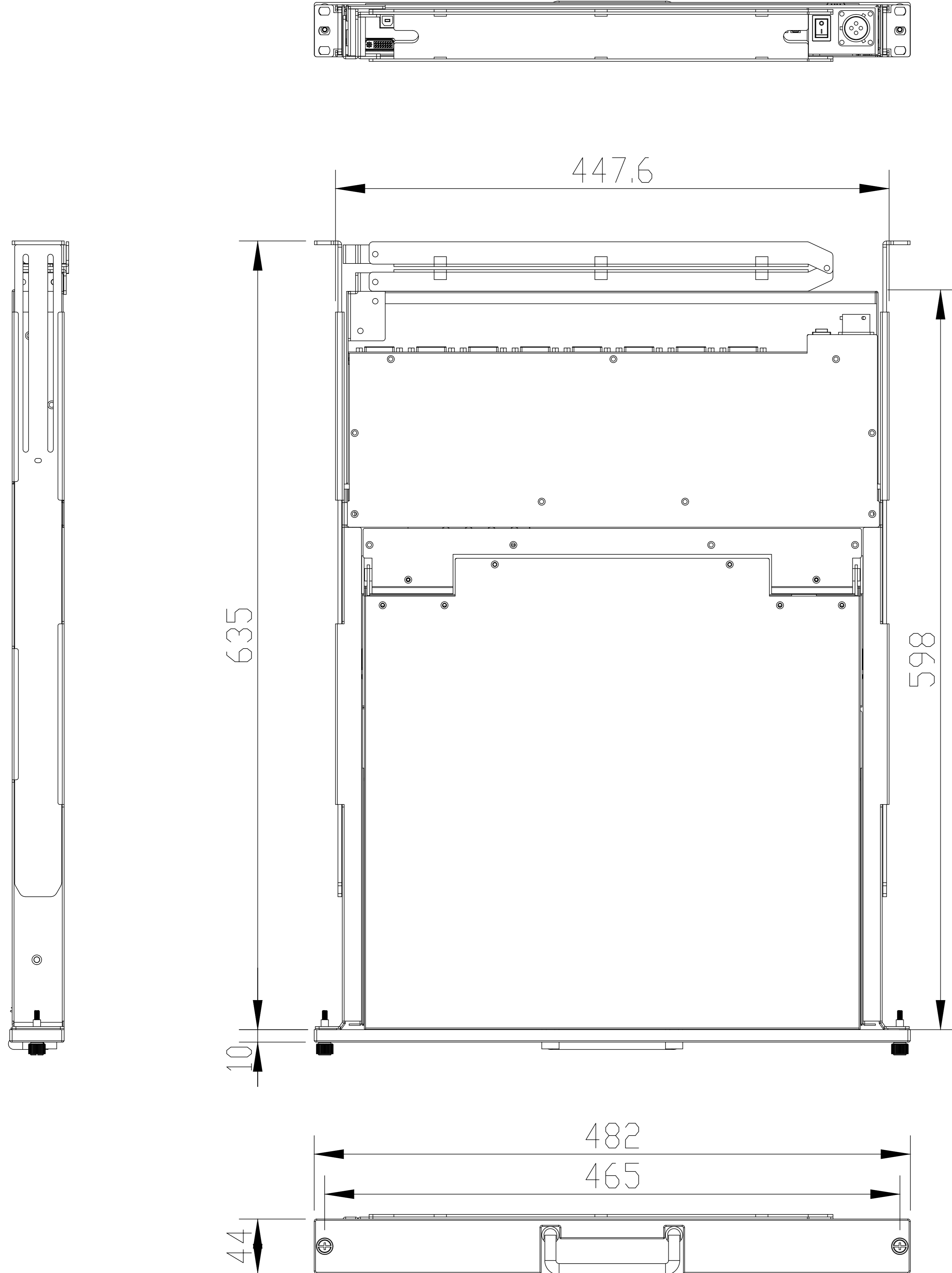
Options

- DC 9~36V power input
- High brightness LCD panel, up to 1000 nits
- Front AR or EMC glass protect screen
- Touch screen



Rear of KVM-1708PD/1908PD-M8

Part No.	KVM-1708PD-M8	KVM-1908PD-M8
Direct no. of Computers	8	
KVM Connectors	8	
LCD	Size	17"
	Backlight	LED
	Resolution	1280 x 1024
	Max.color	16.7M
	Luminance	350cd/m2
	View Angel (H/V)	170 / 160
	Contrast Ratio	1000 : 1
Port Selection	Push Button, Hotkey	
USB HUB	1x Front , 2xRear USB 2.0 Type A for Peripheral USB Device	
Touch Screen	Yes, for option	
KB/Mouse Emulation	USB	
Rack Depth	500mm to 1100mm (rack cabinet front rails to rear rails)	
Power	100-240V AC 50/60Hz via 4 pins lock connector	
Environment (MIL-STD-810G)	Operation temp: -20 to 70°C	(MIL-STD-810, Method 501.5 & 502.5)
	Storage temp: -30 to 80°C	(MIL-STD-810, Method 501.5 & 502.5)
	Humidity: 5% - 95%, non-condensing	(MIL-STD-810, Method 507.5)
	Shock/Vibration: Procedure VI, 50G @ 11ms	(MIL-STD-810, Method 516.6)
	Altitude: 10,000 ft Operational, 30,000 ft Storage	(MIL-STD-810, Method 500.5)
Physical Dimensions / Net Weights	482x44x635mm (WxHxD) /14KG	
Packing Dimensions / Gross weights	(WxHxD) /KG	
Accessories		
1 x 1.8 Power Cord with lock connector		
Option Relate Item		
CD-018	1.8meter DVI-D Cable	
CU-018	1.8meter USB Cable	



注意：
 1. 所有工件必须倒毛刺 去接刀痕。
 2. 所有线性尺寸按GB1804-M级。
 3. Finish: Coating (Spec. See Sample)

TOL	< 30	: ±0.1	UNIT : mm	FINISHING		PART NO.		Ver.	A0	
	30 < 120	: ±0.15		3RD ANGLE'S	MATERIAL	SGCC T=2.0mm	MOLD NO.	KVM-1908HD	Q'ty	1
	120 < 315	: ±0.2		APPROVED	TITLE KVM-1908HD					
	315 <	: ±0.3								
	ANGLE TOL	: ±0.5°	DESIGNED		DRAWING NO.					
SAIS				DRAWN	LiChunhua 2018-7-16	SIZE	A3	SCALE	0.2	SHEET: 1 OF 1

△			
△			
△			
MARK	DESCRIPTION	SING	DATE
	1		2