



Military Grade Rack Mount Industrial Display Monitor

Model # RMB-17W-4K-MIL



Features

- Meet MIL-STD-810F standard
- Compact 19 inch rack mountable with 6U height
- 17.3 inch TFT LCD wide screen support 4K resolution 3840 x 2160
- Support 1920 x 1080 & 1920 x 1200 resolution
- 2 x HDMI 2.0 input, 1 x Display port 1.4, SDI (option)
- Aluminum chassis with hardness glass protect screen
- Front bezel NEMA4 / IP65 compliant
- Front osd control buttons to optimized display
- Build in 2x 2watts stereo speakers

LCD Characteristics :

Screen Size	17.3"
Backlight Type	LED
Resolution	3840x2160
Contrast Ratio	1000:1
Brightness (cd/m2)	400
View Angles (H/V)	178/178
Pixel Size (HxV) mm	0.0995x0.0995
Max. Color	16.7M

Input Signals:

Display-Port	Display- Port 1.4 (4K-60Hz)
HDMI	2 x HDMI 2.0 (4K-60Hz)
Power Input	MIL lock connector, 100-240V AC Input

Power Specifications :

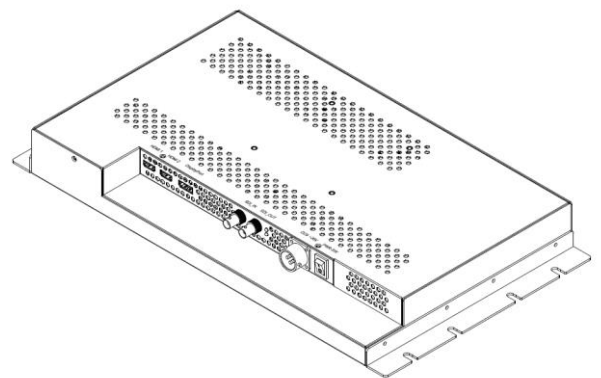
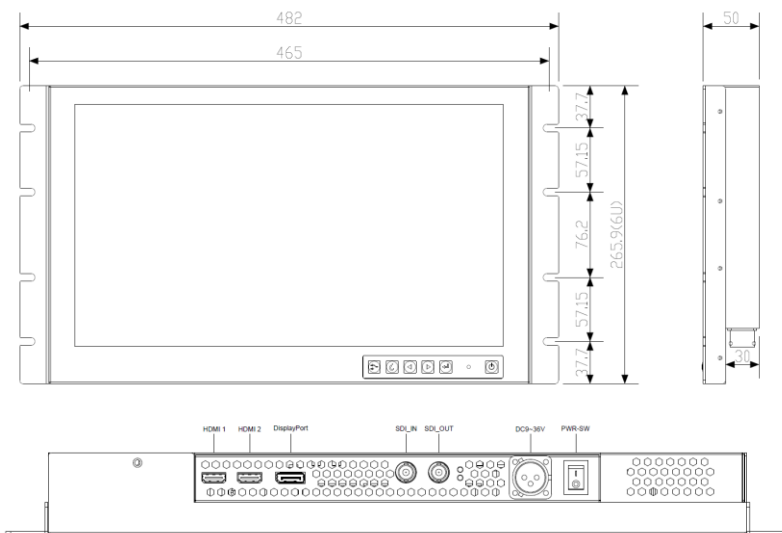
AC Power Input	MIL lock connector, 100-240V AC Input
Wide Range DC Power Input (option)	MIL lock connector with internal wide Range DC 9-36V power module

User Controls Interface:

Power ON / OFF via Front Buttons
Power Mode Status LED indicator
OSD (On Screen Display) Button

Mechanical and Environment (MIL-STD-810F):

Height	6U	
IP Protect	Front bezel NEMA4 / IP65 compliant	
Mounting	Rack Mount and VESA Mount	
Construction	Aluminum Housing with black powder coating	
Operating Temperature	0 ~ 50 deg. C	Method 501.4 and 502.4
Storing Temperature	-20 ~ 60 deg. C	Method 501.4 and 502.4
Operating Humidity	5% - 95%, non -condensing	Method 507.4
Anti-Vibration	5 - 500 Hz / 1 Grms PTP	Method 514.5
Anti-Shock	15G / Peak (11 ms)	Method 516.5
Physical Dimension (WxHxD)	482 x 266 x 50 (mm)	
Packing Dimension (WxHxD)	(mm)	
Net Weight / Gross Weight	(KGs)	
Certification and Approvals	CE / FCC / RoHS	



1 2 3 4 5 6 7 8

A

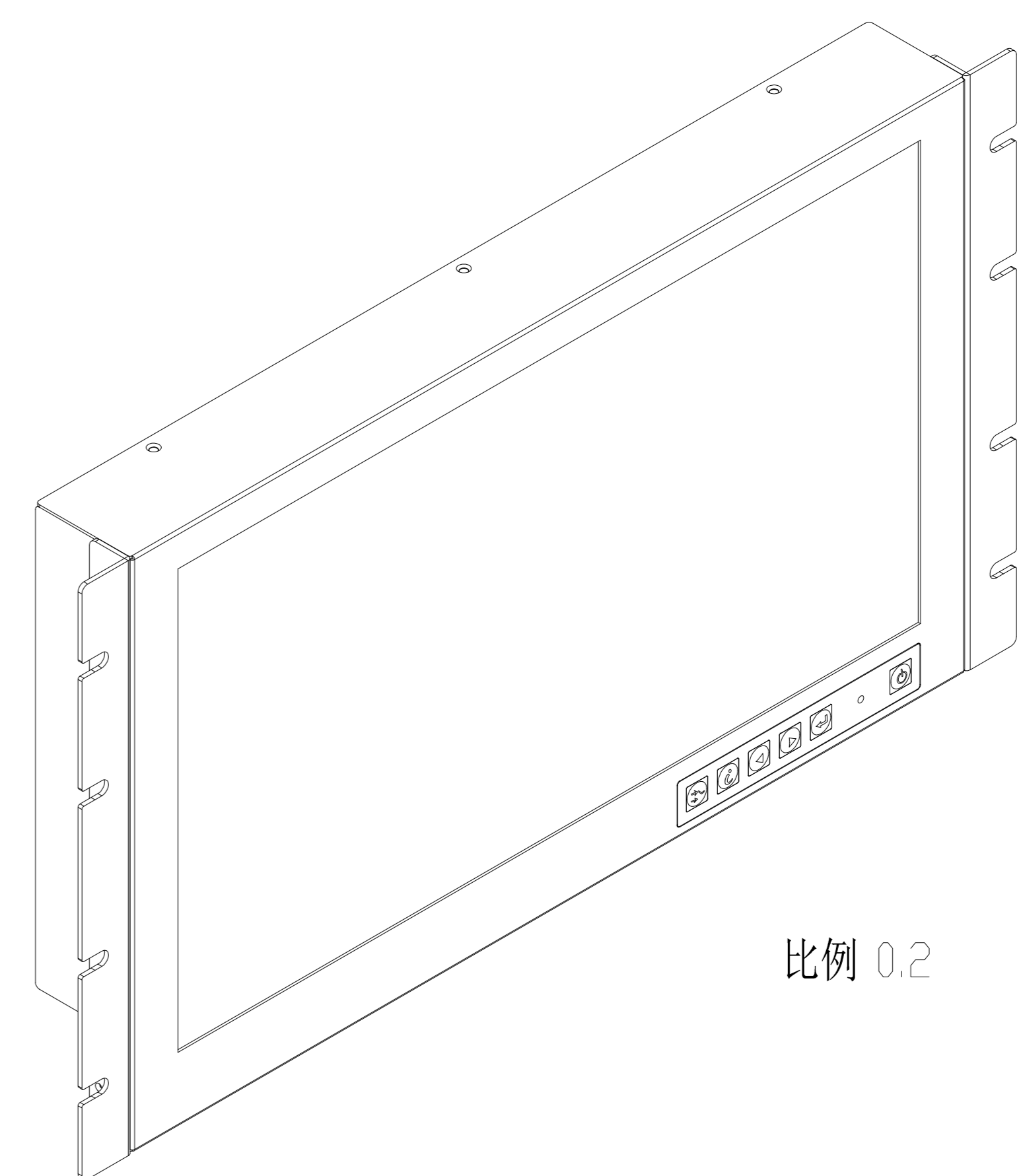
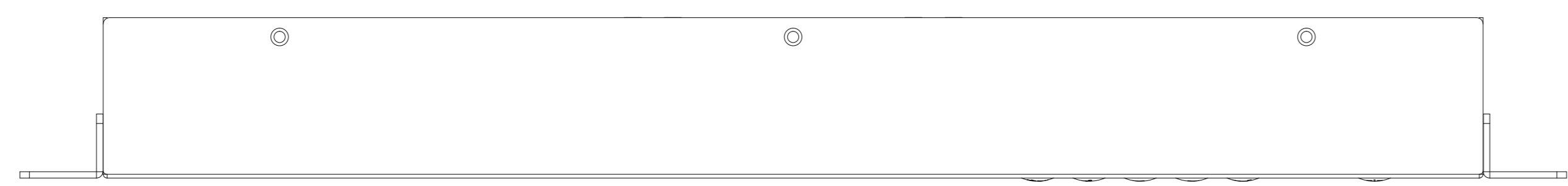
B

C

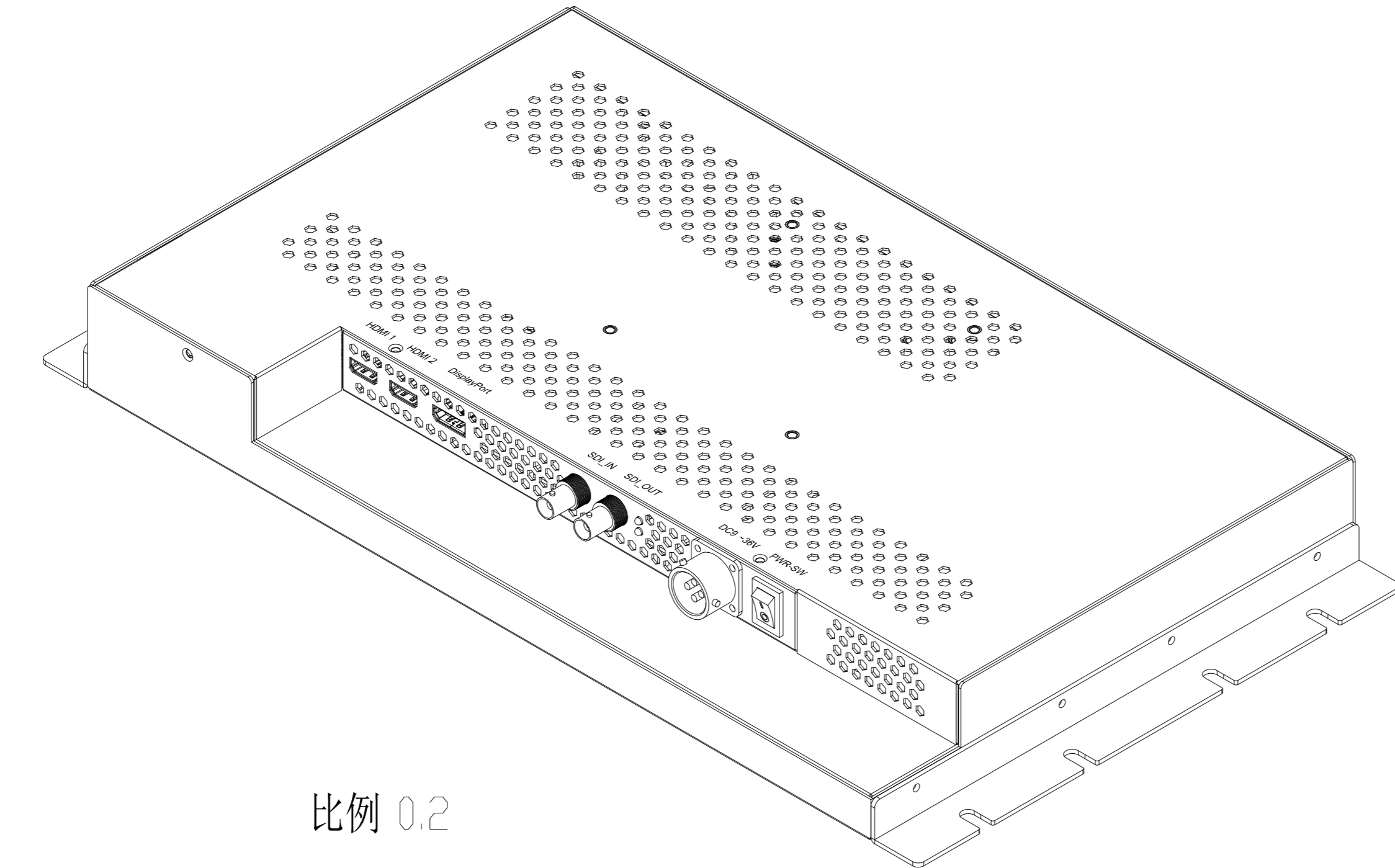
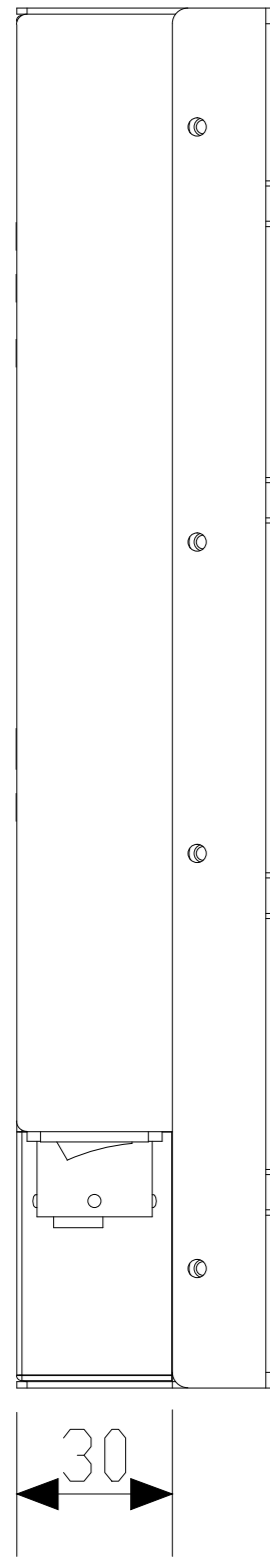
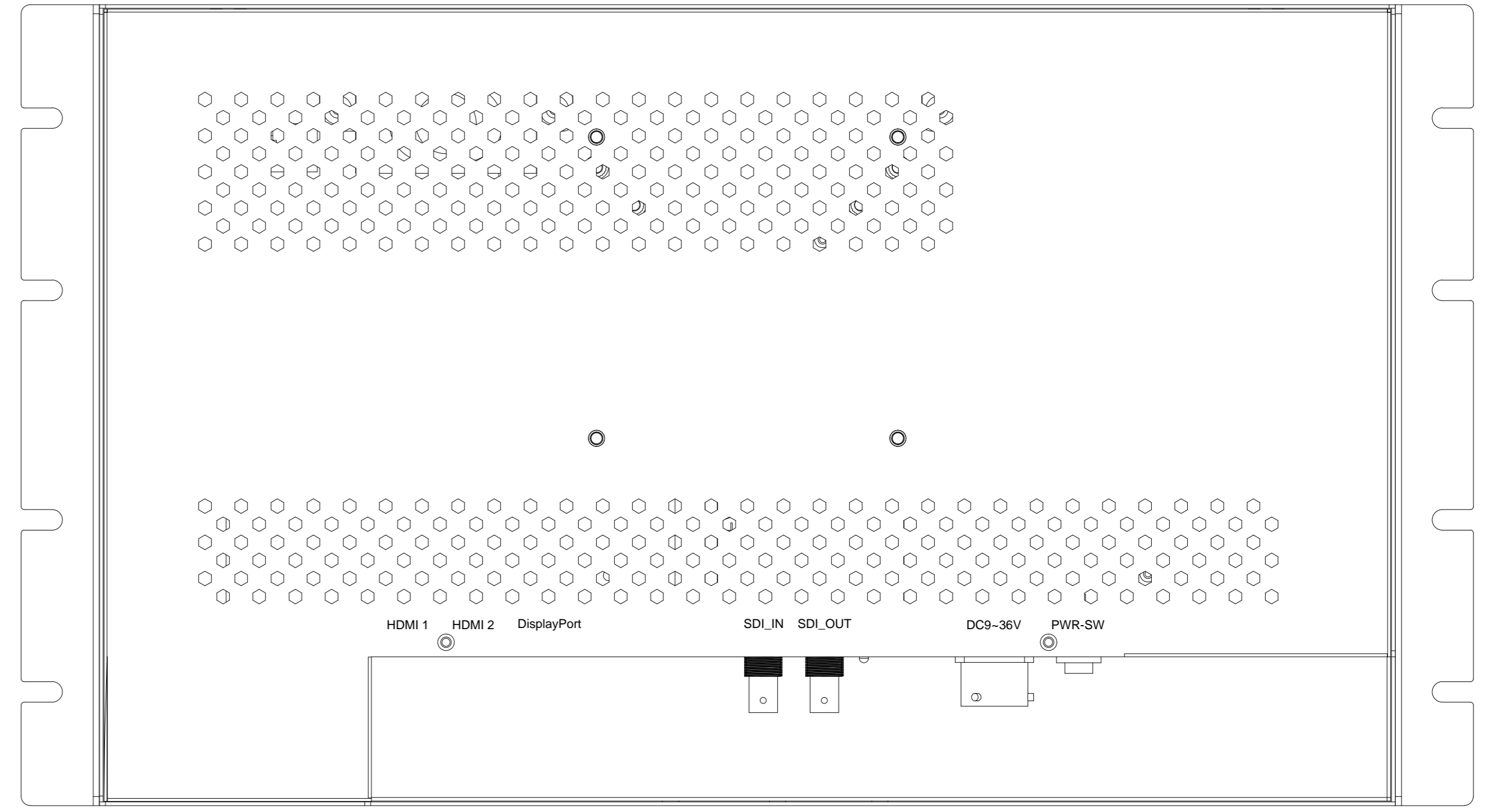
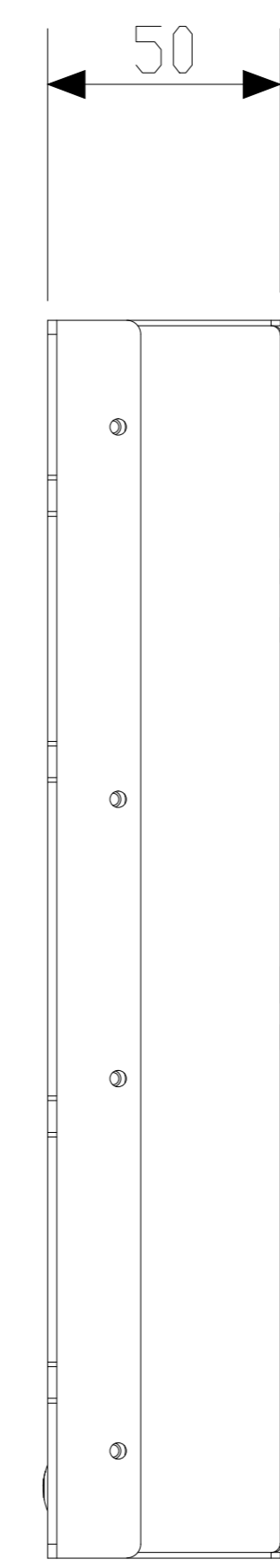
D

E

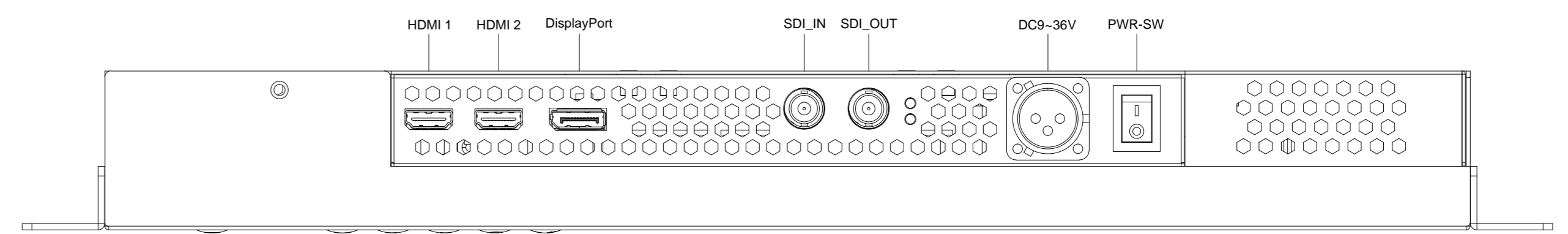
F



比例 0.2



比例 0.2



- 注意:
1. 所有工件必须倒毛刺 去接刀痕。
 2. 所有线性尺寸按GB1804-M级。
 3. Finish: Coating (Spec. See Sample)

△			
△			
△			
MARK	DESCRIPTION	SING	DATE
1			
2			

毛边朝?	1、绿色面	2、白色面									
TOL	< 30	:	±0.1	UNIT : mm	FINISHING			PART NO.	Ver. A0		
	30 < 120	:	±0.15	3RD ANGLE'S	MATERIAL			MOLD NO.	Q'ty 1		
	120 < 315	:	±0.2	APPROVED			TITLE		RMB-17W		
	315 <	:	±0.3	SAIS	CHECKED			DRAWING NO.		△	
	ANGLE TOL	:	±0.5*		DESIGNED	LiuChunhua	2019-5-24	SIZE	A3	SCALE	0.25
					DRAWN						